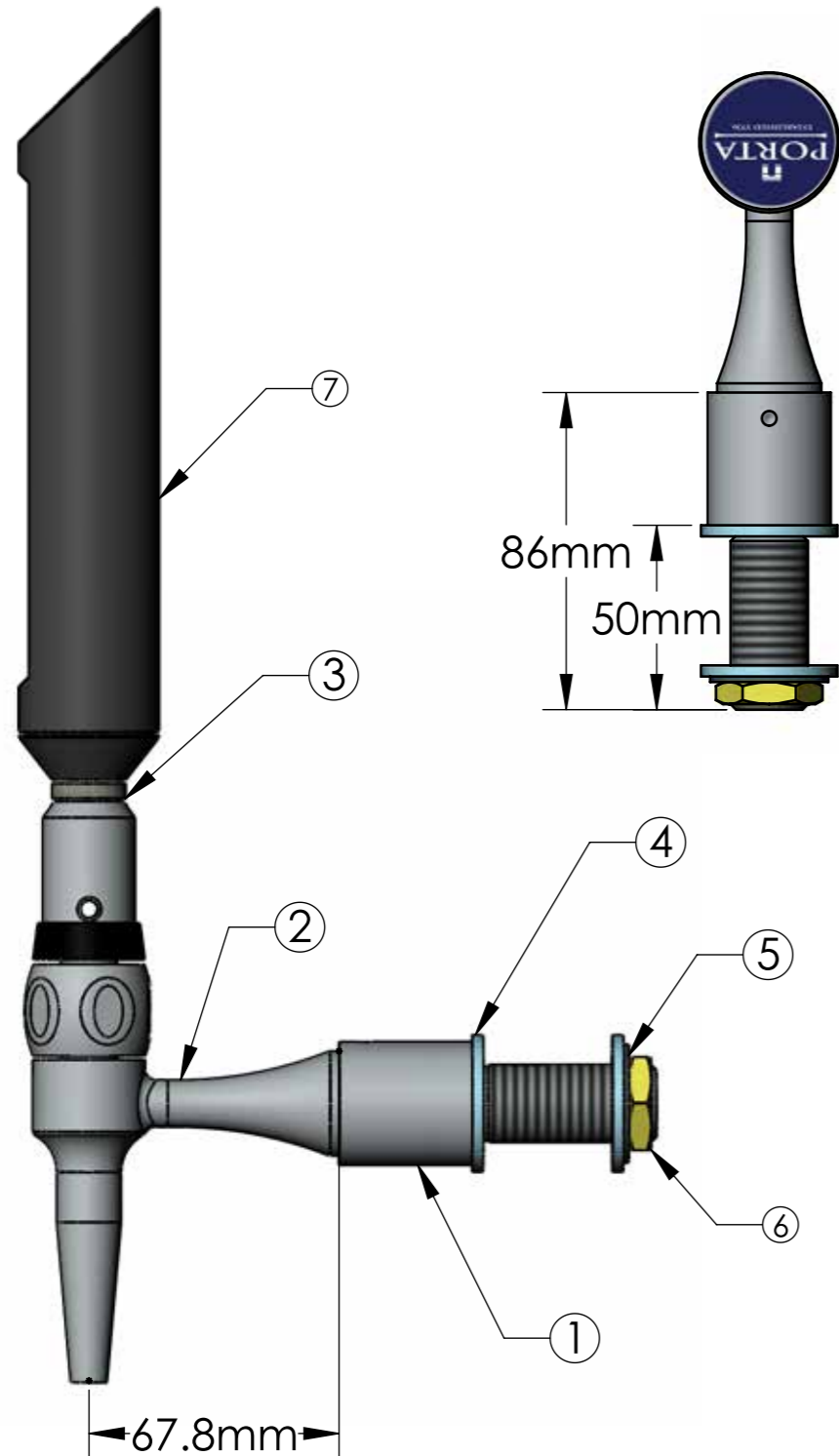


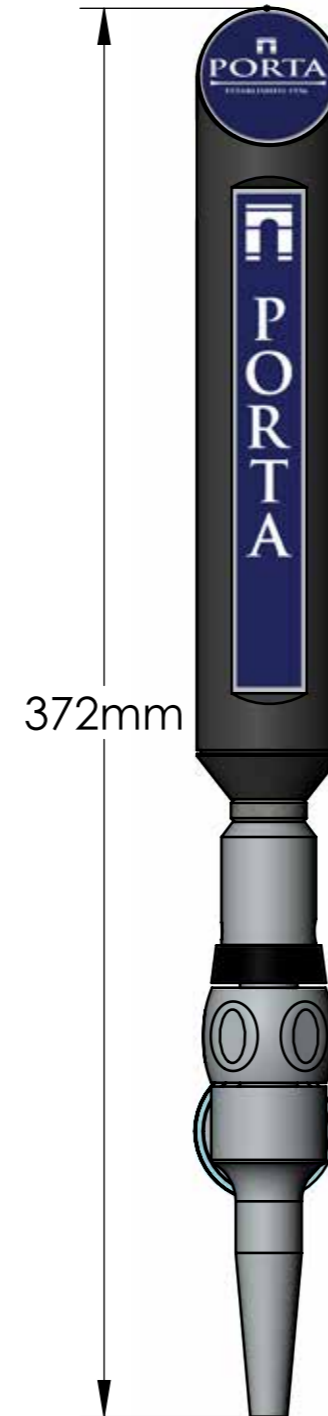
CRAFT BEER TAP CW BLACK OR CHROME HF TAP HANDLE



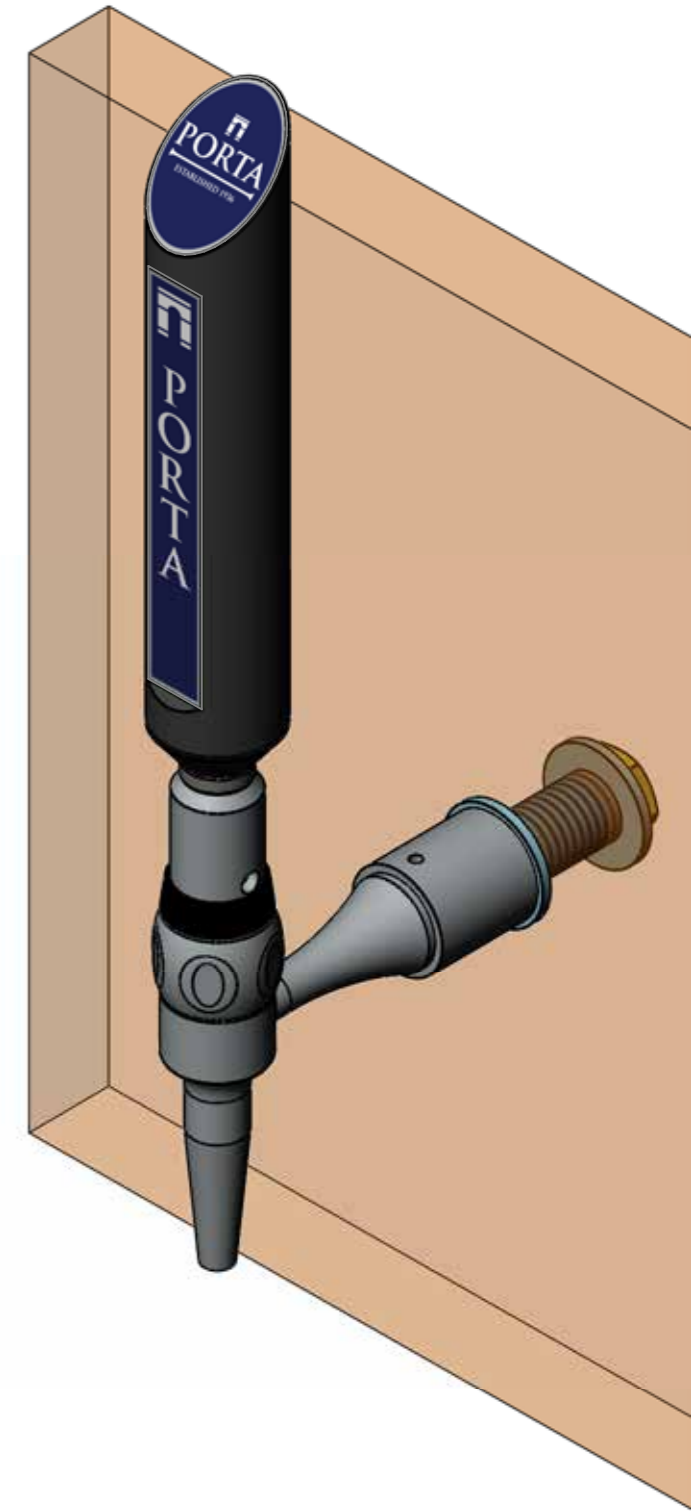
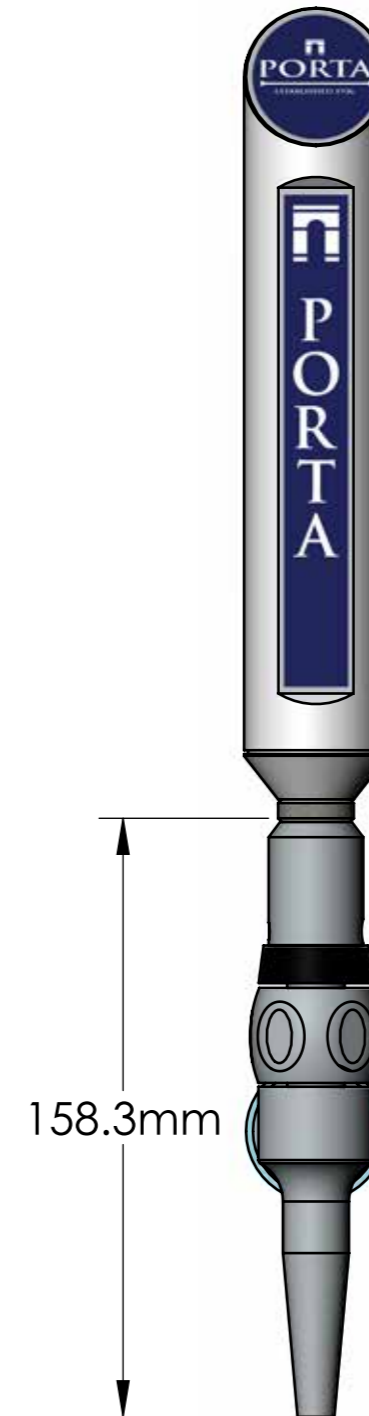
ITEM NO.	PART NUMBER	DESCRIPTION	QTY.
1	061-011438-04	EXTRA THREAD LENGTH TAP ADAPTOR	1
2	051/09889/04	ELEGANCE TAP 3/16"	1
3	051/011281/04	ELEGANCE TAP HANDLE CAM	1
4	WAZ/M2003/0	WASHER	2
5	WAS-M2001-2Z	STAR WASHER	1
6	NUB-50PO-HO	1/2" BSP LOCKNUT	1
7	051/16130/02 051/16147/02	HF TAP HANDLE BLACK HF TAP HANDLE CHROME	1



051/16434/02
"CRAFT BEER TAP C/W
BLACK HF TAP HANDLE"



051/16435/02
"CRAFT BEER TAP C/W
CHROME HF TAP HANDLE"



- HF Branded Handle - can be fitted with Branding in 1 of 2 positions
- HF Branded Handle choice of Black or Chrome Finish - main body /spout of dispense tap polished s/s steel
- Supplied with optional shank extension
- Branding is supplied as part of the kit- 1 set per tap- we require the artwork as hi res eps files - cutter guide doc. available on request
- Product inlet port 3/16ths JG