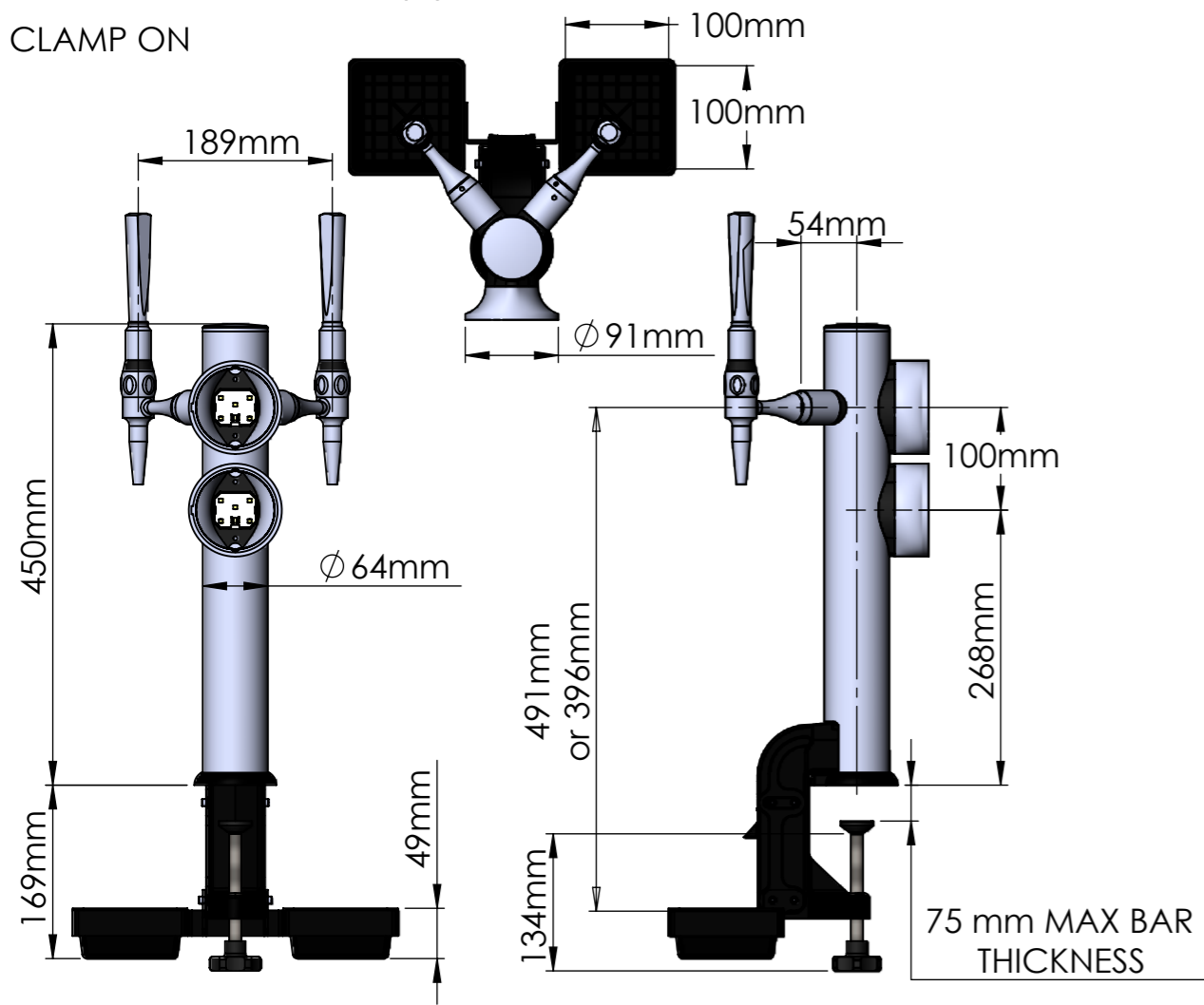
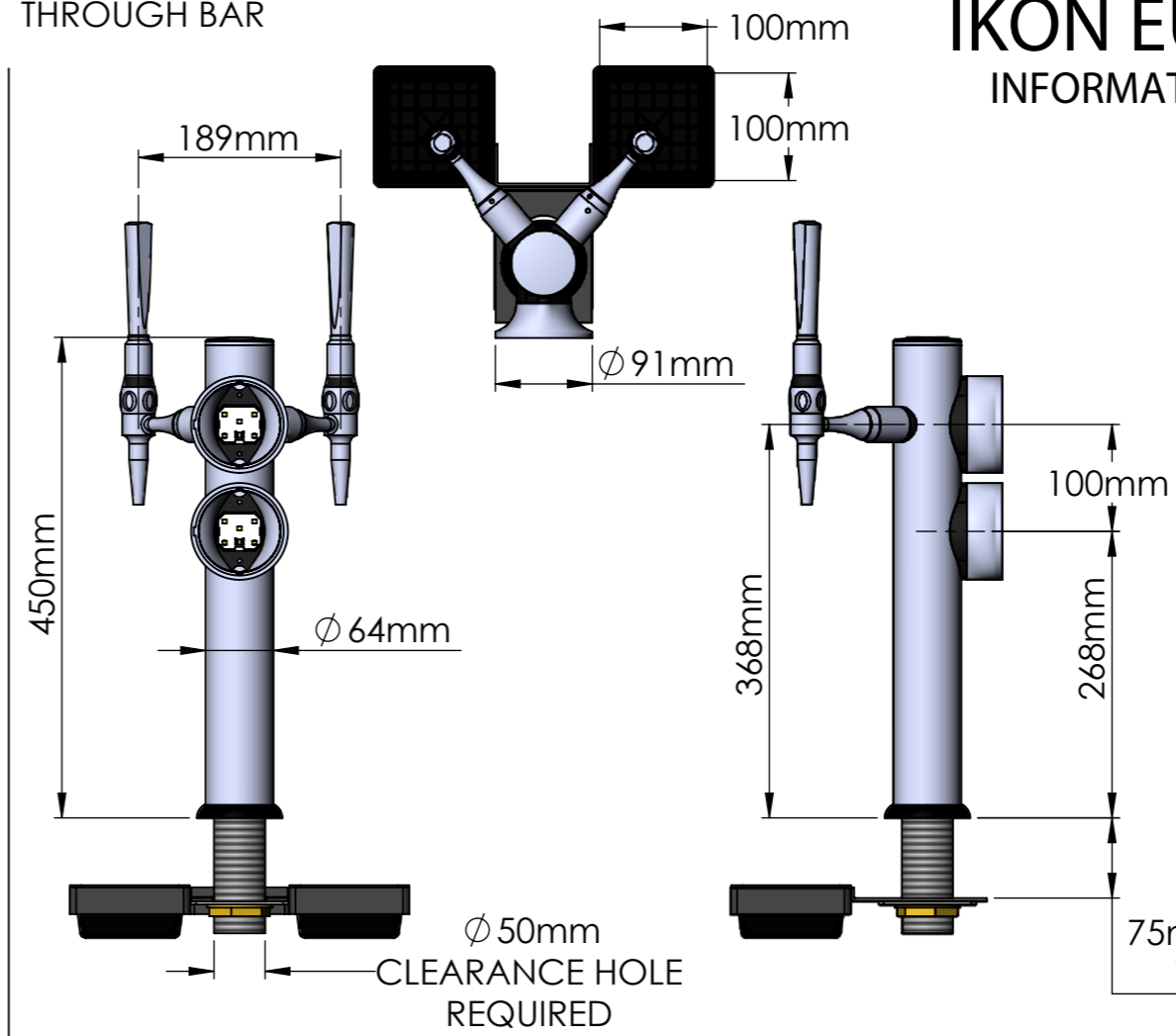


IKON EUROPA VERTICAL (V) BRANDING

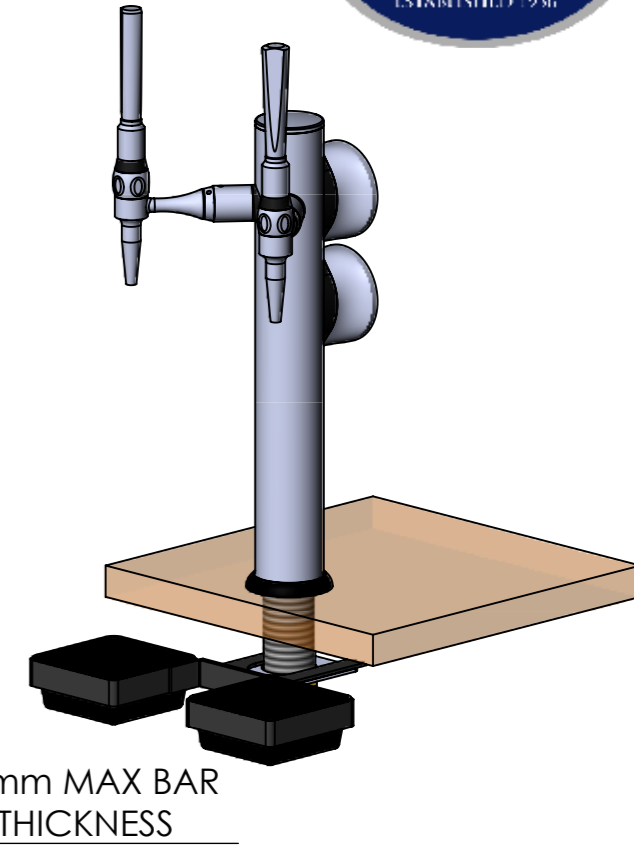
CLAMP ON



THROUGH BAR

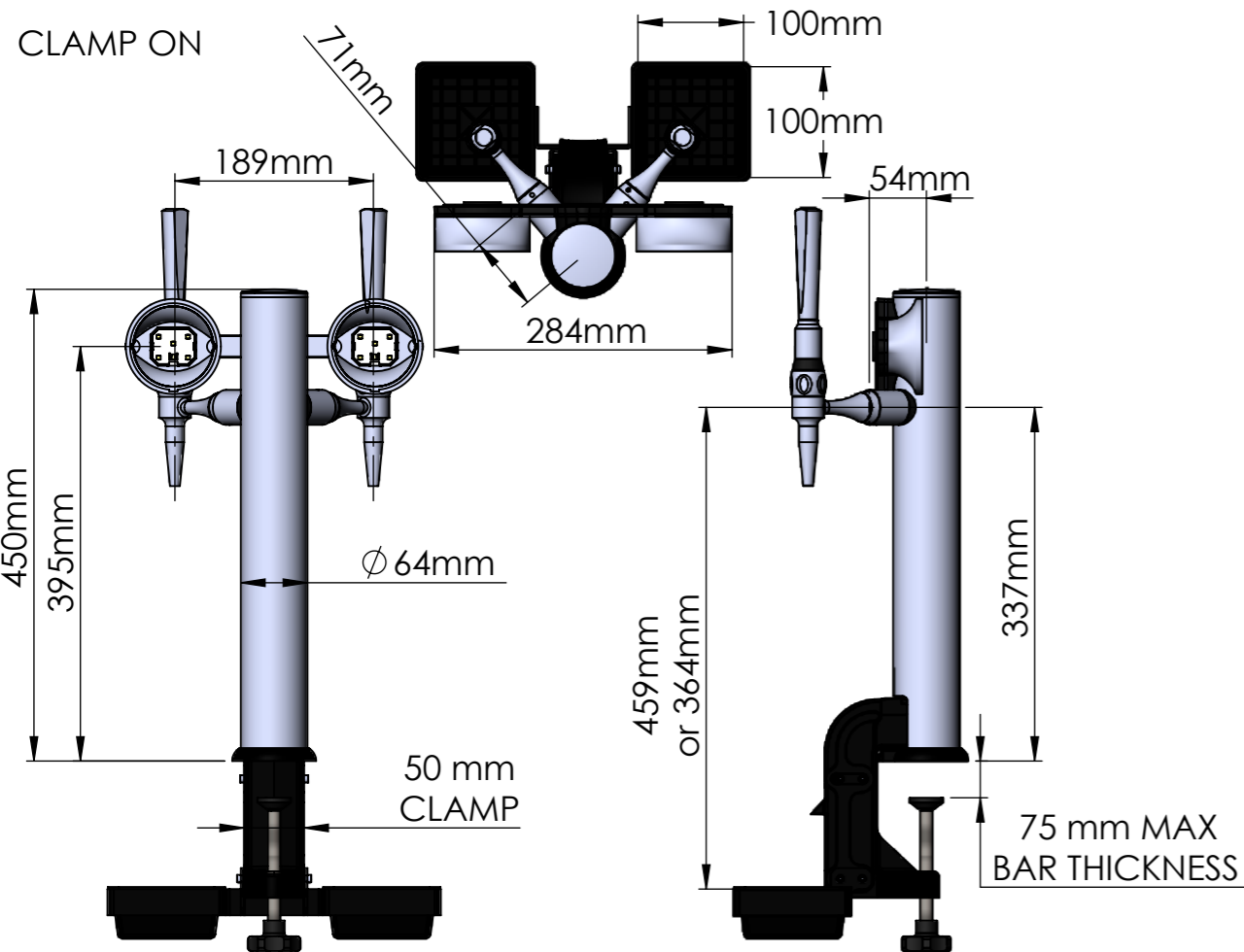


IKON EUROPA
INFORMATION SHEET

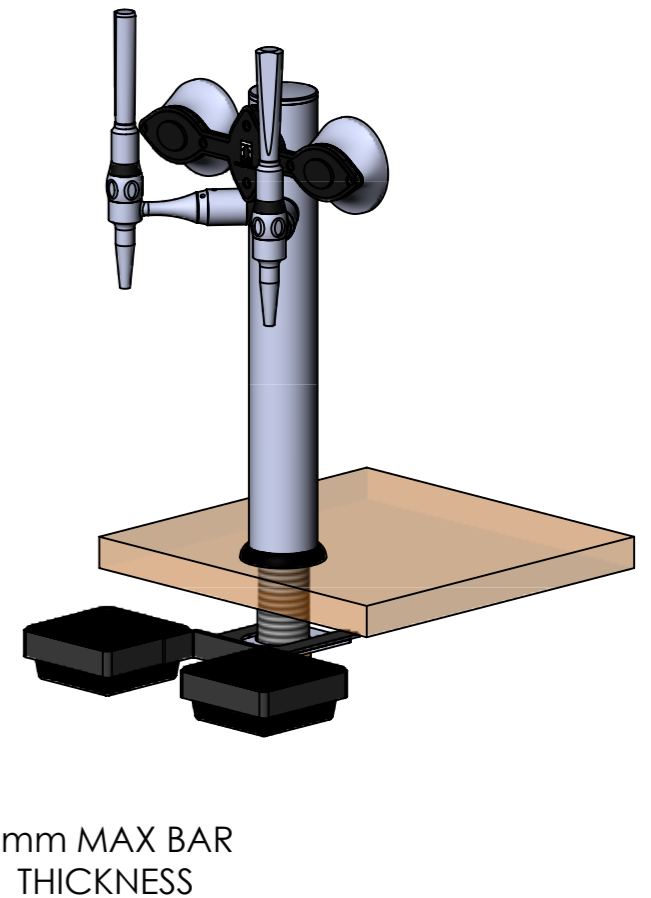
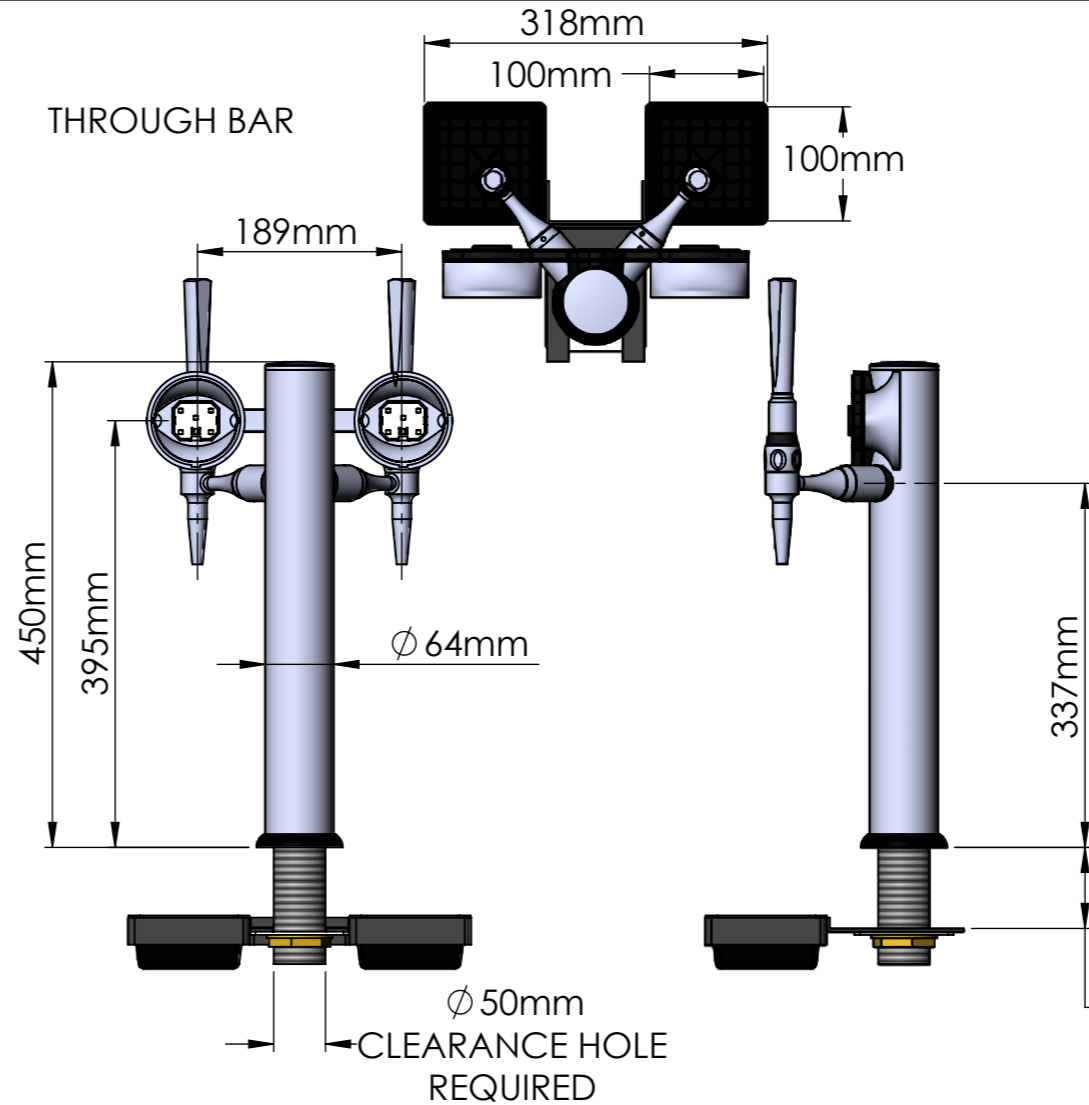


IKON EUROPA HORIZONTAL (H) BRANDING

CLAMP ON



THROUGH BAR



LONGER THROUGH-THE-BAR THREADED TUBE AVAILABLE
SEE DISPENSE SPARES LIST FOR DETAILS