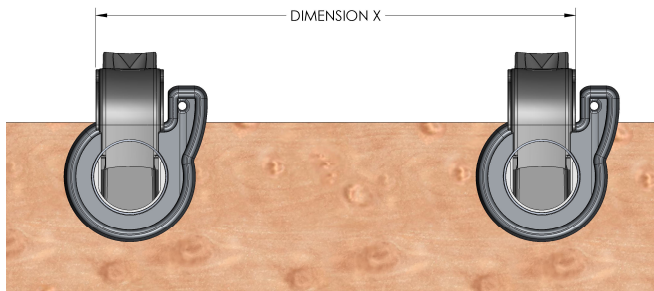


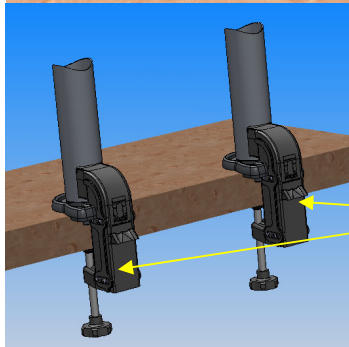
STATION CREATION DRIP TRAY ASSEMBLY INSTRUCTIONS

When installing Station Creation dispense fonts using a Station Creation Drip Tray Assembly the outer clamp dimensions of the outer two dispense fonts need to be spaced as per the table below. This sets the overall length of the display and enables easy fitment of the drip tray frame and the remaining fonts in the display.

**The diagrams below depicts a four out dispense station and the method described can apply to all arrangements.*

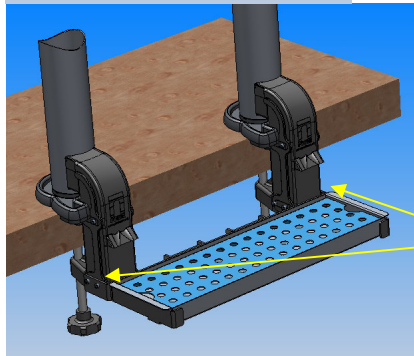


Part Number	Size	Dimension X (mm)
051/15705/02	2 OUT	173
051/15706/02	3 OUT	268
051/15707/02	4 OUT	403
051/15708/02	5 OUT	518
051/15709/02	6 OUT	633



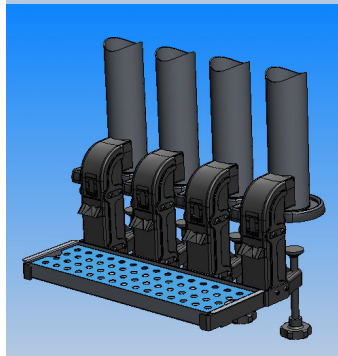
Stage one

Loosely clamp the outer most fonts of your display to the bar top using the dimension give in the table above.



Stage Two

Connect the drip tray frame to the outer edges of the clamps using the 4 x M4 Socket Cap Head Screws and Allen Key provided.



Stage Three

Finally tilt, turn and feed the clamps of the central dispense stations between the above assembly and bar. This will allow the central fonts to sit in the U-Sections provided on the drip tray frame and give perfect spacing throughout.

Please ensure the following to complete the installation:

- ***Clamp screws are fully tightened***
- ***Clamp brackets are pushed fully into the font column***
- ***Clear PVC drain tube is positioned to drain into the drip tray***