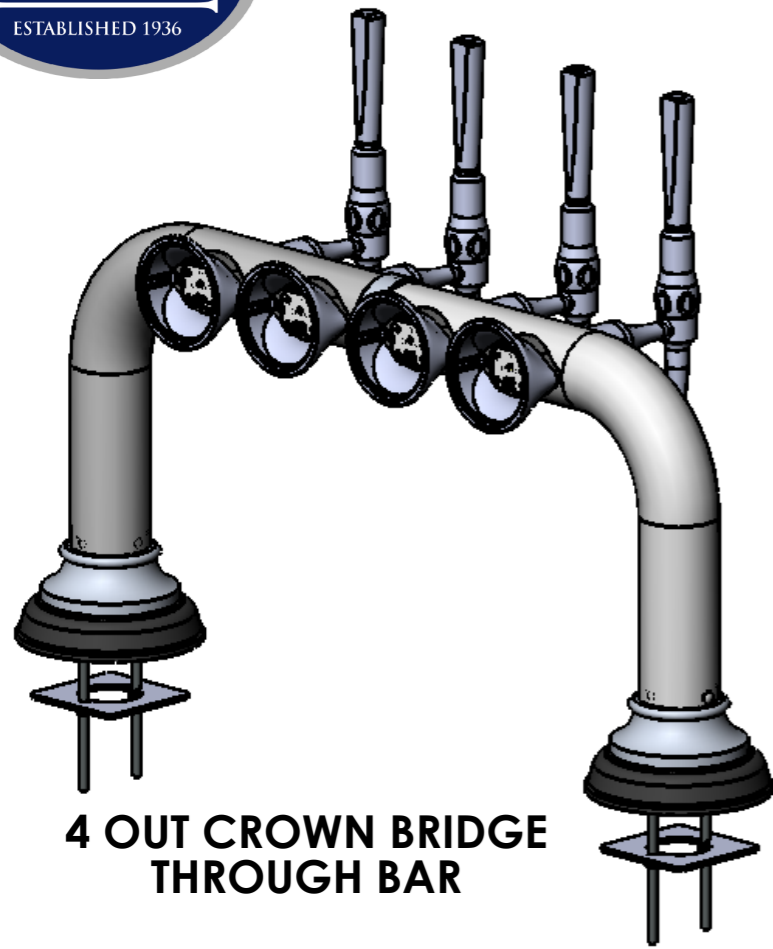
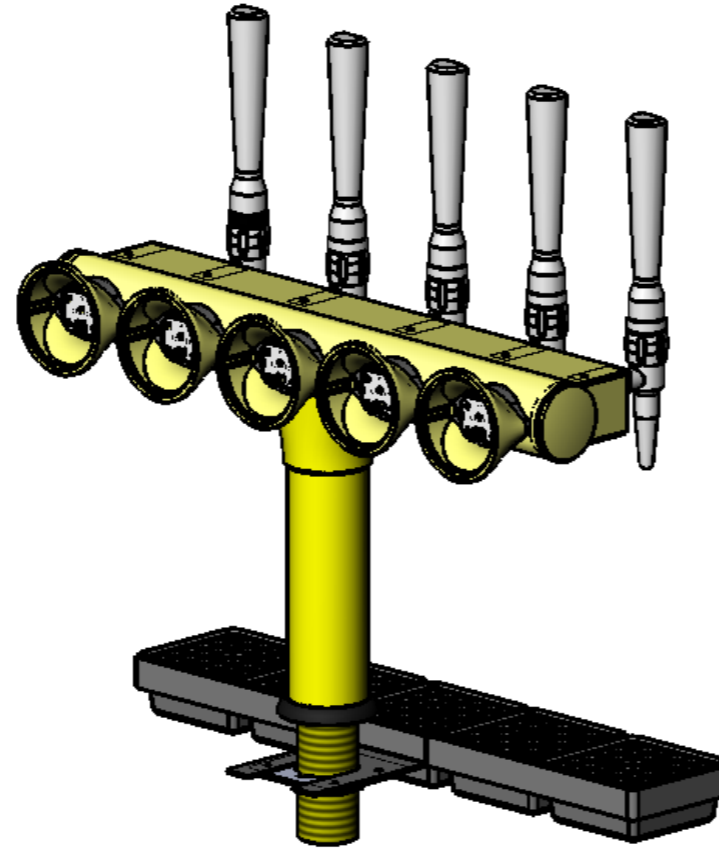




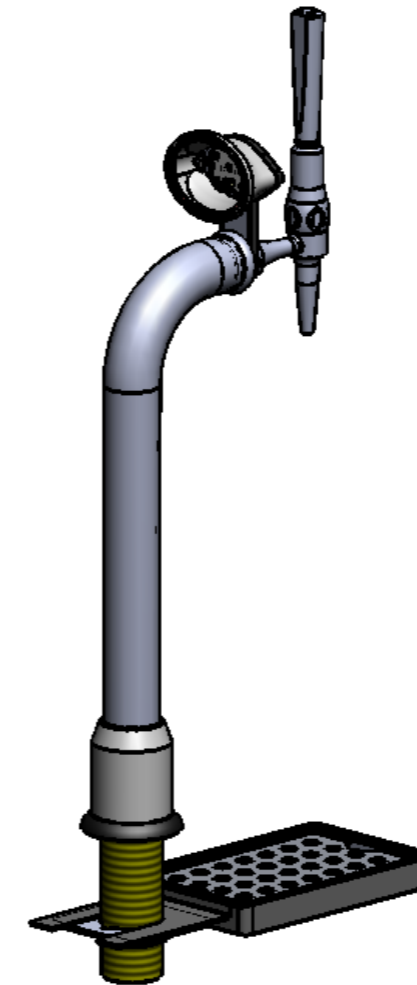
TECHNICAL UPDATE THROUGH THE BAR FONTS



4 OUT CROWN BRIDGE THROUGH BAR

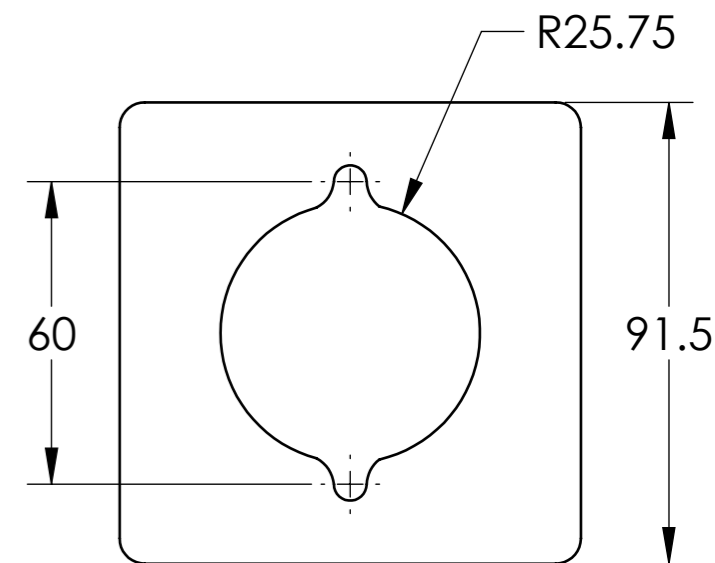
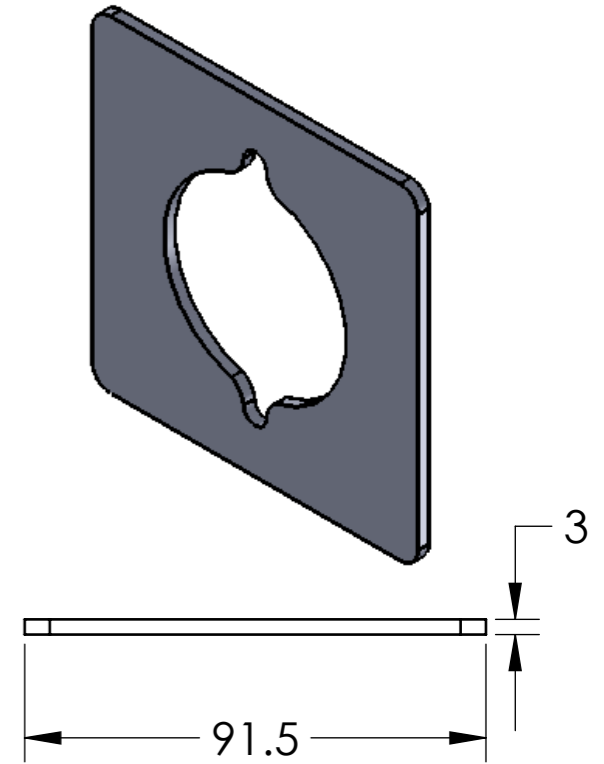


5 OUT BOXA THROUGH BAR



CHAPLIN THROUGH BAR

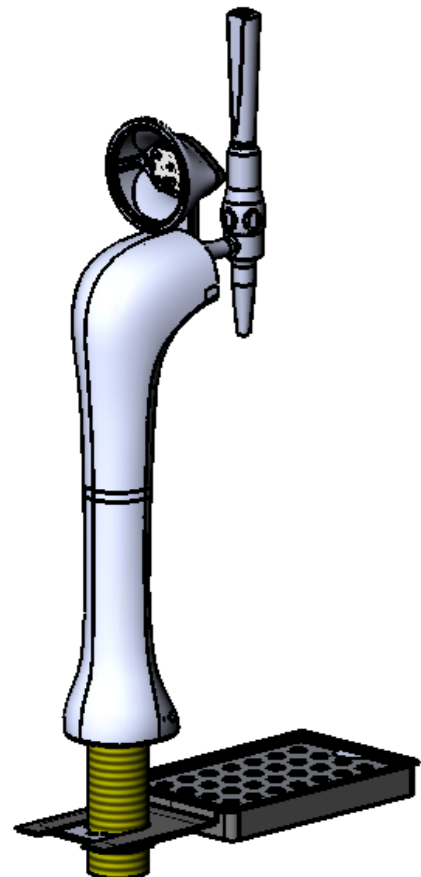
THROUGH THE BAR SQUARE WASHER



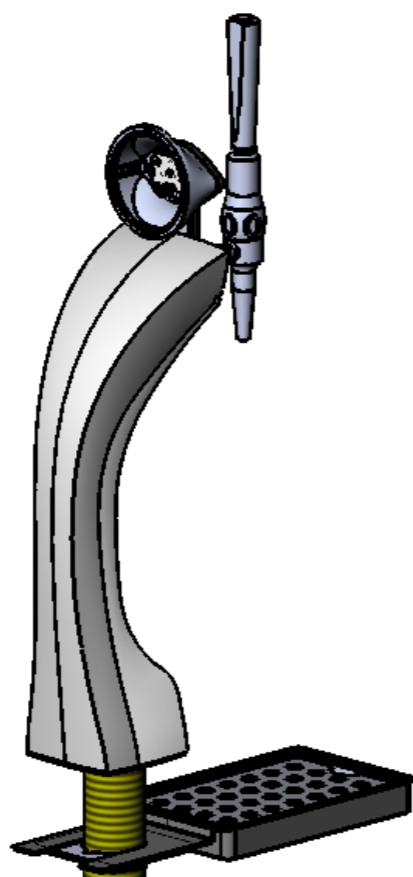
THROUGH THE BAR SQUARE WASHER USED ON ALL THROUGH BAR FONT TO SPREAD LOADS APPLIED UNDER THE BAR SURFACE THE WASHER CAN BE USED WITH OR WITHOUT DRIP TRAYS FRAMES SUPPLIED AS SHOWN

*IF BAR THICKNESS EXCEEDS MAXIMUM DIMENSION PLEASE CONTACT SALES OFFICE FOR ALTERNATIVE OPTIONS
 **ILLUSTRATIONS SHOWN WITH ELEGANCE TAP & CIRCULAR BRANDING, HOWEVER, ALTERNATIVE OPTIONS ARE AVAILABLE BY CONTACTING THE SALES OFFICE OR REFERRING TO DISPENSE SPARES PRICE LIST AT www.porta.co.uk

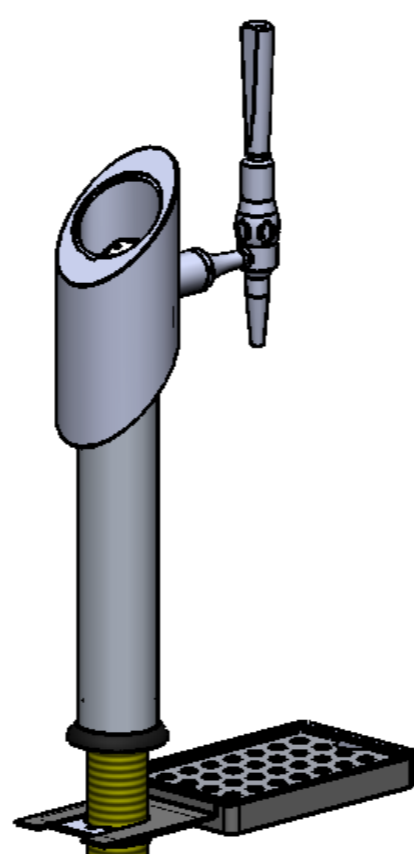
***PLEASE REFER TO SALES OFFICE FOR CONDENSATION OPTION



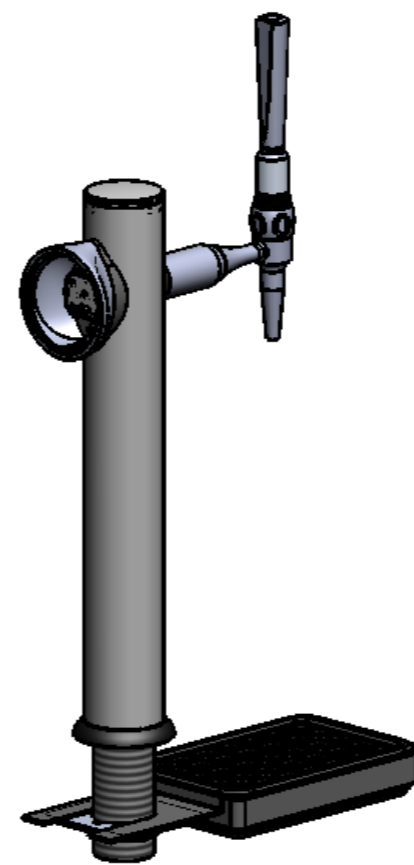
1 OUT CHAMELEON THROUGH BAR



1 OUT DELTA THROUGH BAR



OLYMPUS THROUGH BAR



IKON THROUGH BAR